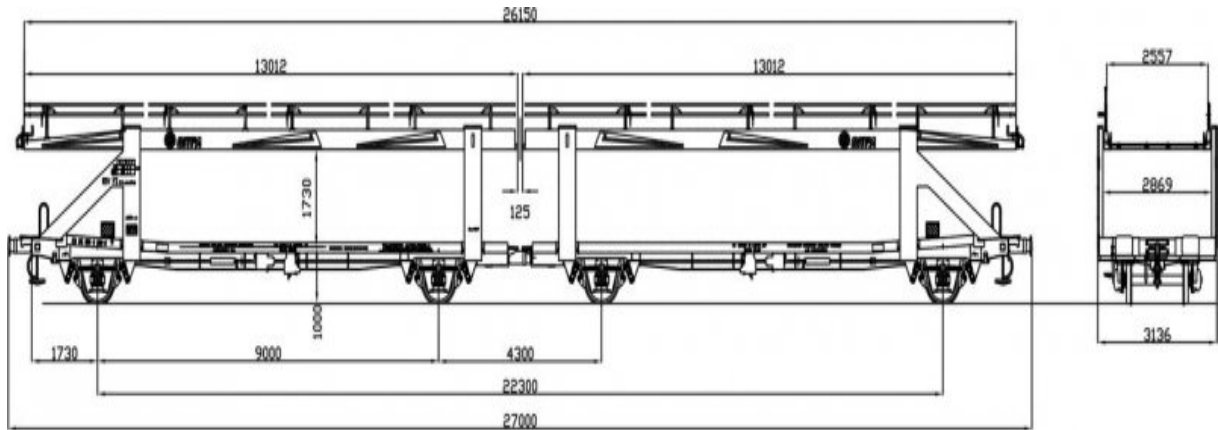


130 - Open double-deck rail wagon adjustable in height



	RIV+ SNCF	DB	SNCB	SBB	FS
Loading gauge	4280 mm	4650 mm	4600 mm	4500 mm	4300 mm
Height between lower and upper deck	Max 2 000 mm	Max 2 000 mm	Max 2 000 mm	Max 2 000 mm	Max 2 000 mm



Mark	RIV
Speed conditions	S **
Tare	Kg 29.500
Length over buffers	mm 27.000
Nominal wheel diameter	mm 840
Maximum empty/load speed	Km/h 120
Minimum radius within curves	m 75
Overall carrying capacity	kg 21000
Maximum load on the lower deck	Kg 11.000
Maximum load on the upper deck	Kg 10.000
Maximum concentrated load on the lower deck	Kg 750
Maximum concentrated load on the upper deck	Kg 550
Loading length on the lower deck	mm 26.270
Loading length on the upper deck	mm 26.150
Net opening between pillars	At the ends mm 2.869 - In the middle wagon mm 2.859
Net opening between decks	Maximum mm 2.000
Loading upper (semi) deck completely reclining and Adjustable	
Loading ramp of the upper deck completely reclining and adjustable	Min 5° - Max 7°
Standard double link suspension	
Parabolic leaf springs	
Automatic compressed-air brake type Westinghouse	
Stop brake on 100% wagons	



